

Thermoregulator
Freezer - 1M -

CABINETS MASS/GAB R 290

PNC	MODEL	REF	PAGE	DESCRIPTION	NOTE/ BRAND
110357	ZRX71FFCG	g	3,5,7	1-DR FREEZER 670L -22°C,DIGITAL (R290)UK	ZANUSSI
110358	ZRX72HFCEG	h	4,5,7	2x½-DR FREEZER 670L -22°,DIGIT.(R290)-UK	ZANUSSI
110369	ZR471FFCG	i	3,5,6,7,8	1-DR FREEZER 670L -22°,DIGIT,S/S(R290)UK	ZANUSSI
110370	ZR472HFCEG	l	4,5,6,7,8	2x½-DR FREEZ.670L -22°C,DIG,S/S(R290) UK	ZANUSSI
110378	ZRX71FFH	m	3,5,6,7,8	1DR FREEZ.670L -22-15°,DIG(R290)	ZANUSSI
110875	ZRX71FFH	z	3,5,6,7,8	1-DOOR FREEZER 670L -15/-20°C,DIGITAL WITH LIGHT-R290	ZANUSSI
110934	ZR471FFCG	i	3,5,6,7,8	1-DOOR FREEZER+WHEELS 670L -22-15°, DIGITAL ,S/S, R290 - UK	ZANUSSI
110935	ZR472HFCEG	l	4,5,6,7,8	2x½-DOOR FREEZER+WHEELS 670L -22-15°C, DIGITAL, S/S, R290 - UK	ZANUSSI
110942	ZRX71FFH	m	3,5,6,7,8	1-DOOR FREEZER 670L -22-15°C , DIGITAL, A304 - R290	ZANUSSI
110974	ZRX71FFH	z	3,5,6,7,8	1-DOOR FREEZER 670L -22-15°C, DIGITAL WITH LIGHT - R290	ZANUSSI
190700	REX71FFH	x	3,5,7	1DR FREEZER 670L -22-15°,DIG(R290)	To brand
190EIZ	REX71FFH	e1	3,5,6,7,8	1-DOOR FREEZER 670L -22-15°C, DIGITAL, A	EPR
190EOC	ZRX71FFH	d1	3,5,6,7,8	1-DOOR FREEZER 670L -22-15°C , DIGITAL,	ZANUSSI
725163	REX71FFHW	c1	3,5,6,7,8	FREEZER CABINET, 670L, 1 DOOR, -22-15°, DIGITAL, R290, ON WHEELS, GEWISS PLUG - CREMONINI	EPR
725172	REX71FFHW	b1	3,6,8	1-DOOR FREEZER 670L -22-15°C, DIGIT + WHEELS 881002	EPR
725181	REX71FFHW	a1	3,5,7	1DR FREEZER 670L WITH WHEELS -22-15°,DIG(R290)	EPR
725258	REX71FFHW	c1	3,5,6,7,8	1-DOOR FREEZER 670L+WHEELS -22-15°C, DIGITAL, A304, R290, GEWISS PLUG - CREMONINI	EPR
725261	REX71FFHW	b1	3,6,8	1-DOOR FREEZER 670L+WHEELS (881002) -22-15°C, DIGI- TAL, A304 - R290	EPR
725288	RE471FFCG	b	3,5,6,7,8	1-DOOR FREEZER 670L -22-15°C, DIGITAL, S/S, R290 - UK	EPR
725289	RE472HFCEG	d	4,5,6,7,8	2x½-DOOR FREEZER 670L -22-15°C, DIGITAL, S/S, R290-UK	EPR
725318	REX71FFSS	e	3,5,6,7,8	1-DOOR FREEZER 670L -22-15°C, DIGITAL, FULL A304 - R290	EPR
725322	REX71FFH	e	3,5,6,7,8	1-DOOR FREEZER 670L -22-15°C, DIGITAL, A304 - R290	EPR
725325	MCDM670F2	f	4,5,6,7,8	2x½D FREEZ.670L -22-15°,DIG+WHL(R290)MCD	EPR
725392	REX71FFH	z	3,5,6,7,8	1-DOOR FREEZER 670L -22-15°C, DIGITAL WITH LIGHT, A304 -R290	EPR
725451	REX71FFH4	z	3,5,6,7,8	1-DOOR FREEZER 670L -22-15°C, DIGITAL WITH LIGHT, A304, 4 GRIDS -R290	EPR
725453	REX71FFH4	e	3,5,6,7,8	1-DOOR FREEZER 670L -22-15°C, DIGITAL, A304, 4 GRIDS - R290	EPR

Note: per la corretta identificazione dei componenti, attenersi esclusivamente alle pagine indicate e alla lettera di riferimento.

Note: for the correct identification of the components, follow the indicated pages and the reference letter.

Rev. 7	Pag.	3,4	Index	Indice
		5,6	Cabinet and door	Armadio e porta
		7,8	Cooling unit assembly	Gruppo refrigerante
		9-13	Control panel	Pannello comandi
			Spare parts list	Lista ricambi

Thermoregulator
Freezer - 1M -

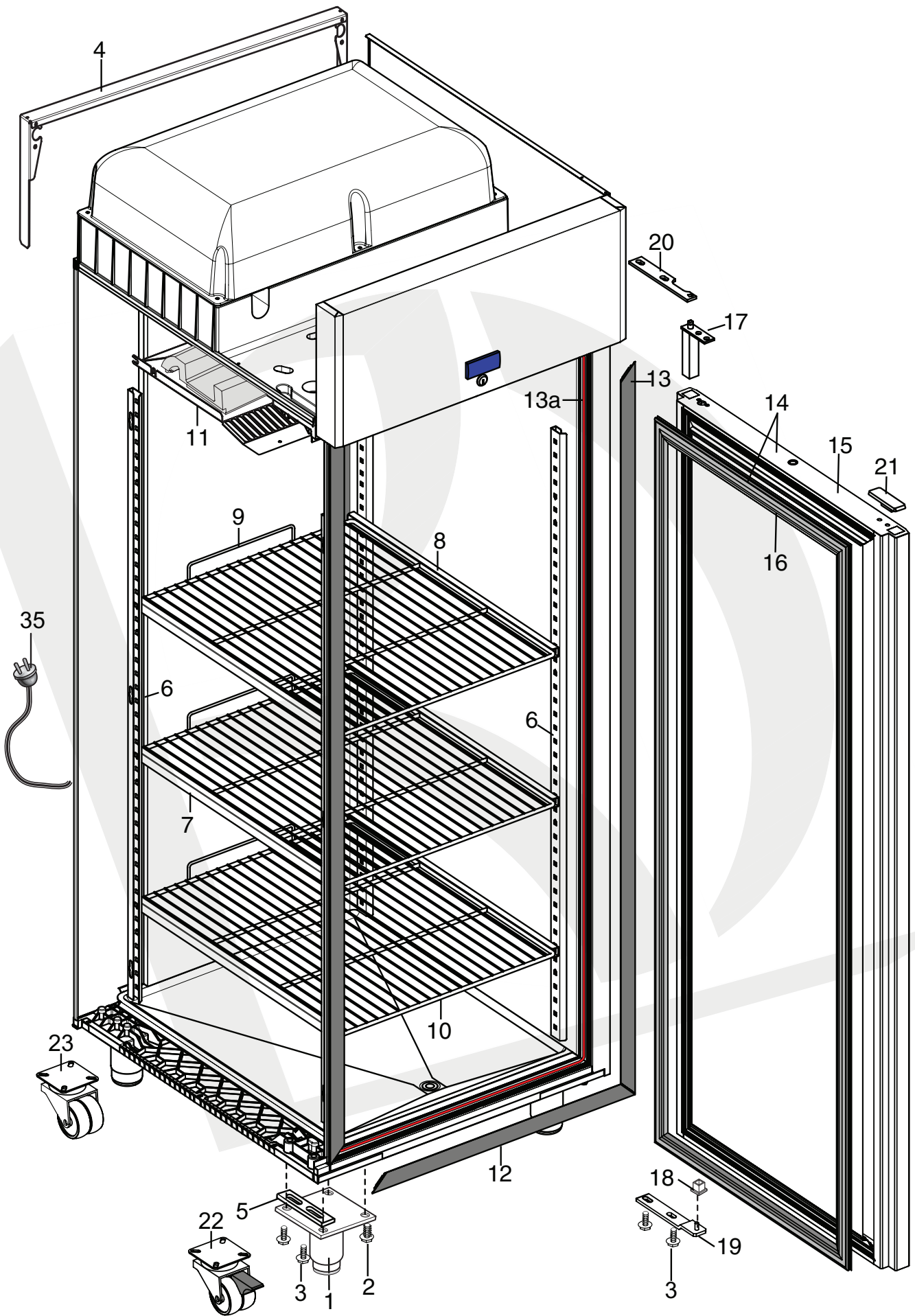
CABINETS MASS/GAB R 290

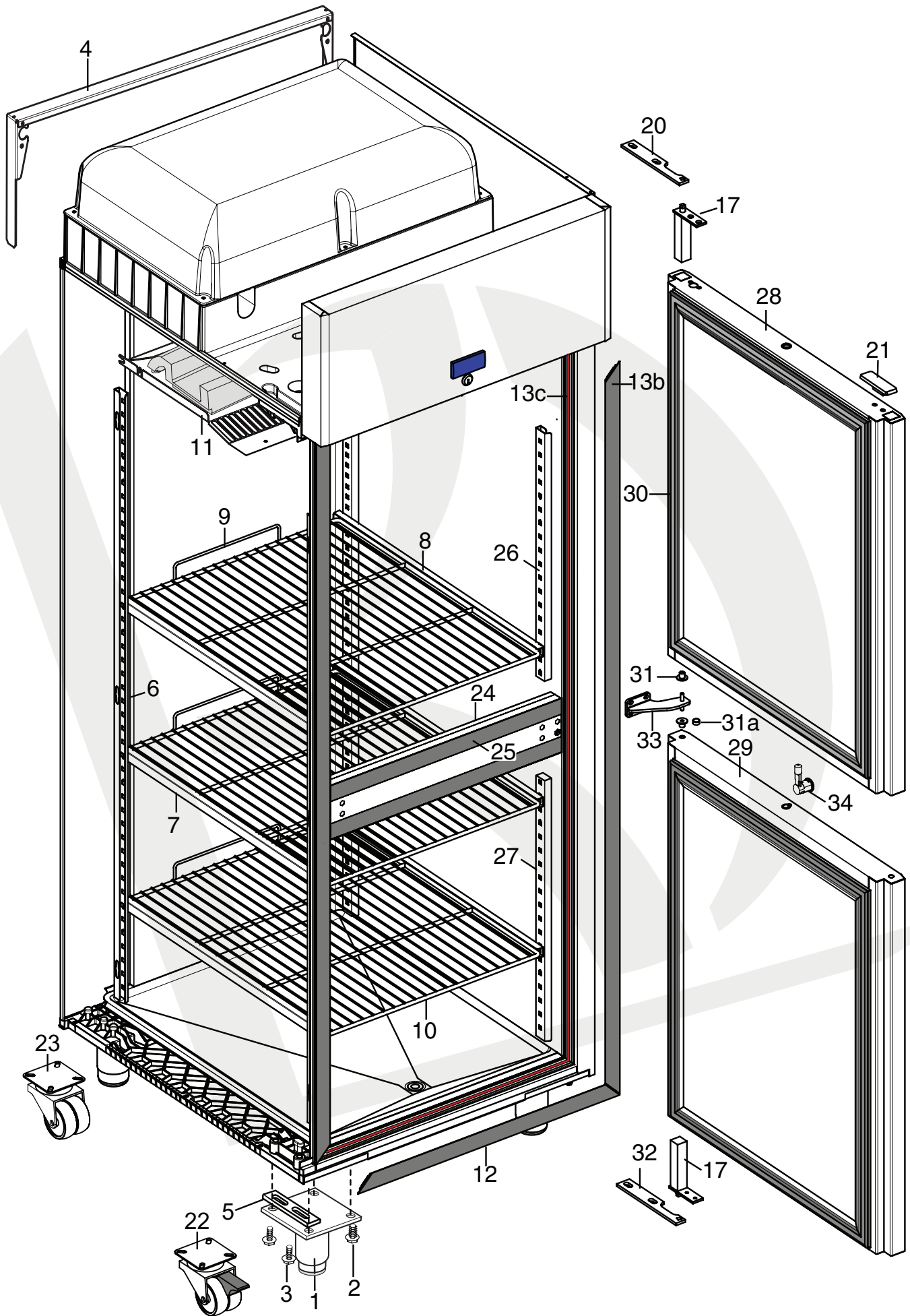
PNC	MODEL	REF	PAGE	DESCRIPTION	NOTE/ BRAND
725458	REX71FFHM	j	3,5,6,7,8	1-DOOR FREEZER 670L -22-15°C, DIGITAL A304 - R290 - MARINE	EPR
725495	REX71FFHL	e	3,5,6,7,8	1-DOOR FREEZER 670L -22-15°C, DIGITAL, LEFT HINGED-A304 - R290	EPR
727396	REX71FFCG	a	3,5,7	1-DR FREEZER 670L -22°C,DIGITAL (R290)UK	EPR
727397	REX72HFCH	c	4,5,7	2x½-DR FREEZER 670L -22°,DIGIT.(R290)-UK	EPR
727408	RE471FFCG	b	3,5,6,7,8	1-DR FREEZER 670L -22°,DIGIT,S/S(R290)UK	EPR
727409	RE472HFCH	d	4,5,6,7,8	2x½-DR FREEZ.670L -22°C,DIG,S/S(R290) UK	EPR
727465	REX71FFH	e	3,5,6,7,8	1DR FREEZER 670L -22-15°,DIG(R290)	EPR
727469	MCDM670F2	f	4,5,6,7,8	2x½D FREEZ.670L -22-15°,DIG+WHL(R290)MCD	EPR
727993	REX71FFH	z	3,5,6,7,8	1-DOOR FREEZER 670L -15/-20°C,DIGITAL WITH LIGHT-R290	EPR
728946	ARX71FFHW	y	3,5,6,7,8	1DR FREEZ.670L -22-15°,DIG (R290)+WHEELS	Alpen
729098	ARX71FFCG	n	3,5,7	1-DR FREEZER 670L -22°C,DIGITAL (R290)UK	Alpen
729099	ARX72HFCH	o	4,5,7	2x½-DR FREEZER 670L -22°,DIGIT.(R290)-UK	Alpen
729110	AR471FFCG	p	3,5,6,7,8	1-DR FREEZER 670L -22°,DIGIT,S/S(R290)UK	Alpen
729111	AR472HFCH	q	4,5,6,7,8	2x½-DR FREEZ.670L -22°C,DIG,S/S(R290) UK	Alpen
729119	ARX71FFH	r	3,5,6,7,8	1DR FREEZ.670L -22-15°,DIG(R290)	Alpen
729317	NRX71FFCG	s	3,5,7	1-DR FREEZER 670L -22°C,DIGITAL (R290)UK	To brand
729318	NRX72HFCH	t	4,5,7	2x½-DR FREEZER 670L -22°,DIGIT.(R290)-UK	To brand
729327	BR471FFCG	u	3,5,6,7,8	1-DR FREEZER 670L -22°,DIGIT,S/S(R290)UK	To brand
729328	BR472HFCH	v	4,5,6,7,8	2x½-DR FREEZ.670L -22°C,DIG,S/S(R290) UK	To brand
729335	NRX71FFH	w	3,5,7	1DR FREEZ.670L -22-15°,DIG(R290)	To brand
729522	ARX71FFH	z	3,5,6,7,8	1-DOOR FREEZER 670L -15/-20°C,DIGITAL WITH LIGHT-R290	Alpen
729636	ARX71FFHW	y	3,5,6,7,8	1-DOOR FREEZER+WHEELS 670L -22-15°C, DIGITAL, A304 - R290	Alpen
729643	AR471FFCG	p1	3,5,6,7,8	1-DOOR FREEZER+WHEELS 670L -22-15°C, DIGITAL, S/S , R290 - UK	Alpen
729644	AR472HFCH	q	4,5,6,7,8	2x½-DOOR FREEZER+WHEELS 670L -22-15°C, DIGITAL, S/S, R290 - UK	Alpen
729650	ARX71FFH	r	3,5,6,7,8	1-DOOR FREEZER 670L -22-15°, DIGITAL, A304 - R290	Alpen
729668	ARX71FFH	z	3,5,6,7,8	1-DOOR FREEZER+WHEELS 670L -22-15°C, DIGITAL WITH LIGHT, A304 - R290	Alpen

Note: per la corretta identificazione dei componenti, attenersi esclusivamente alle pagine indicate e alla lettera di riferimento.

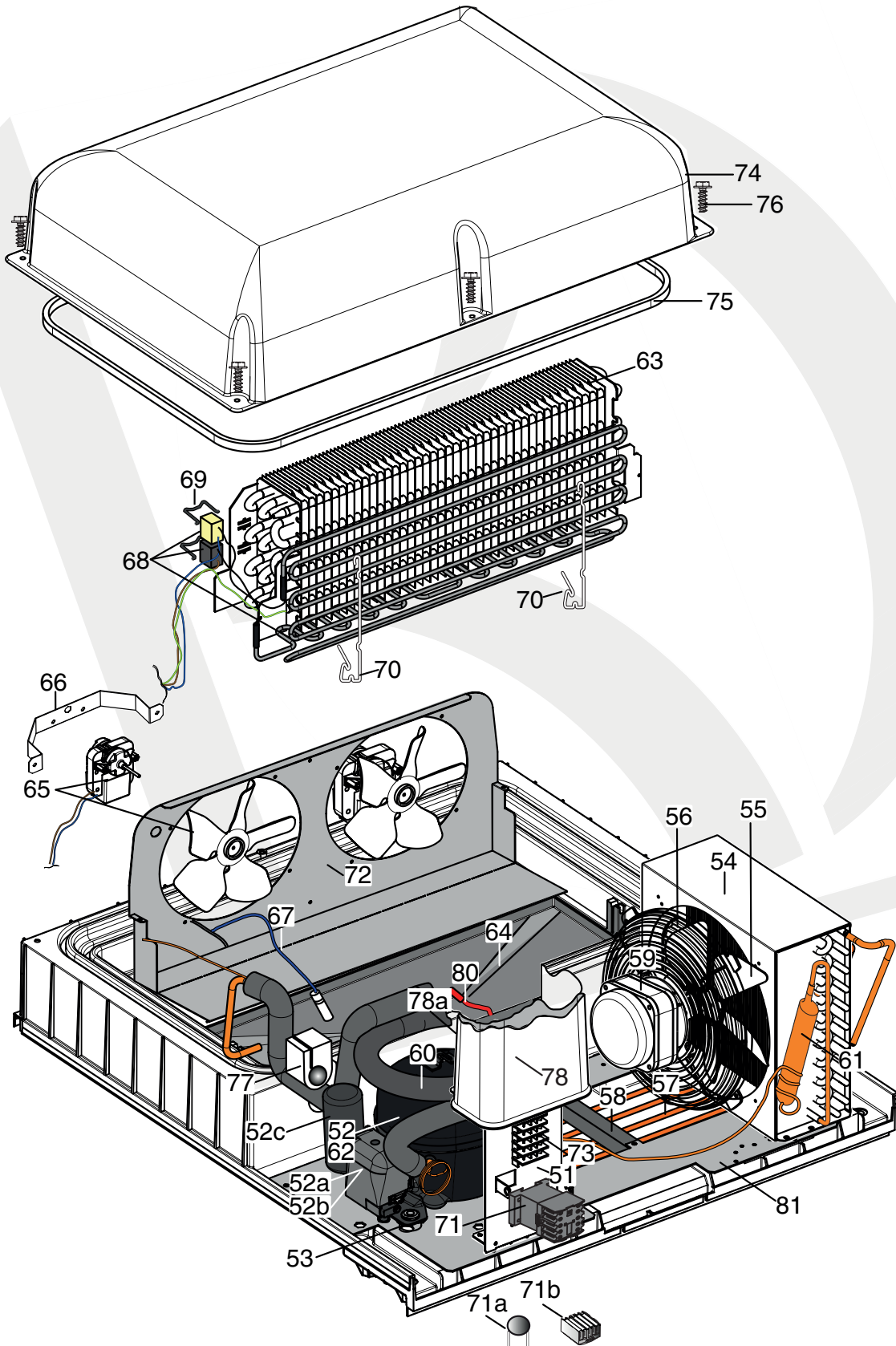
Note: for the correct identification of the components, follow the indicated pages and the reference letter.

Rev. 7	Pag.	3,4	Index	Indice
		5,6	Cabinet and door	Armadio e porta
		7,8	Cooling unit assembly	Gruppo refrigerante
		9-13	Control panel	Pannello comandi
			Spare parts list	Lista ricambi

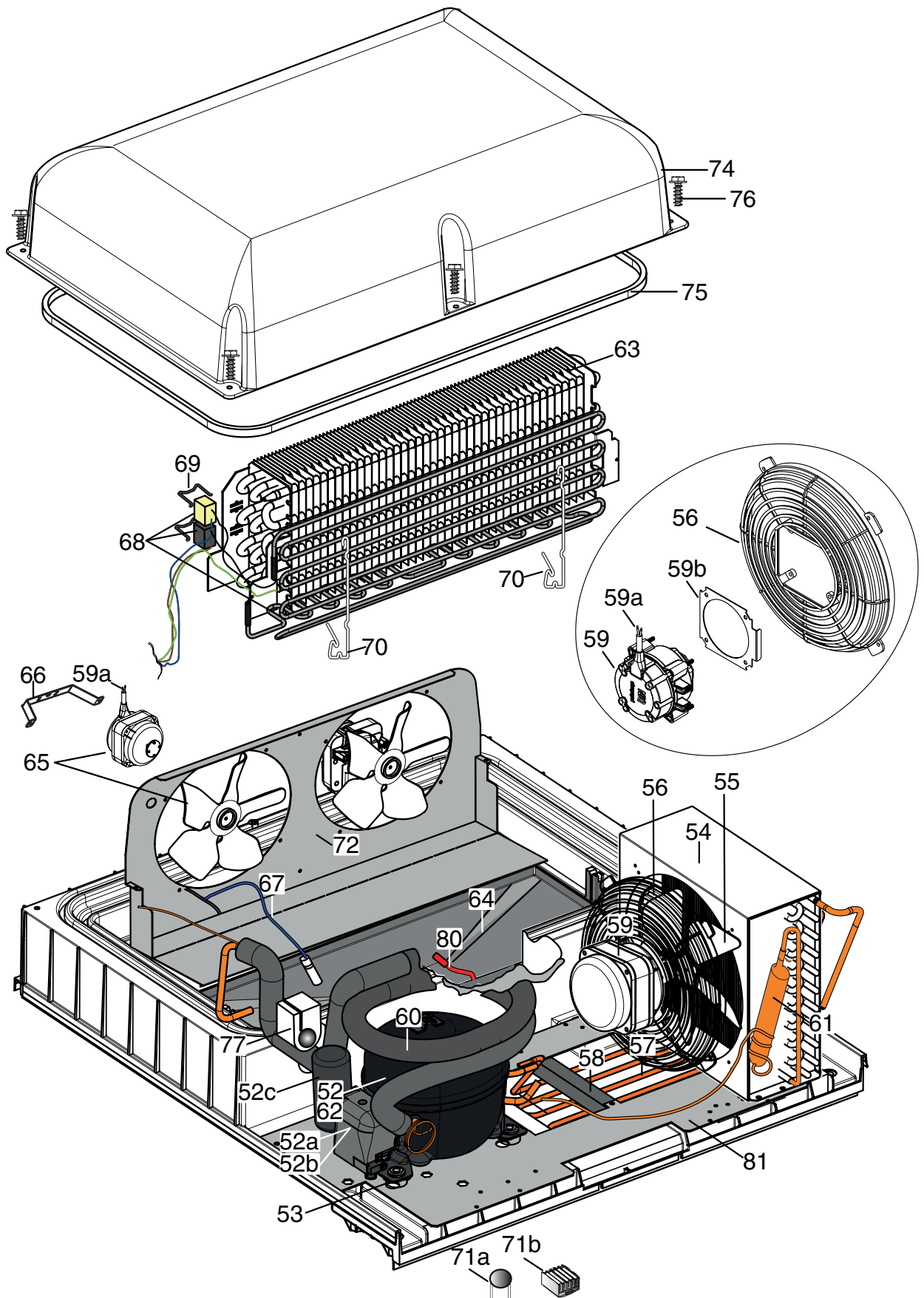




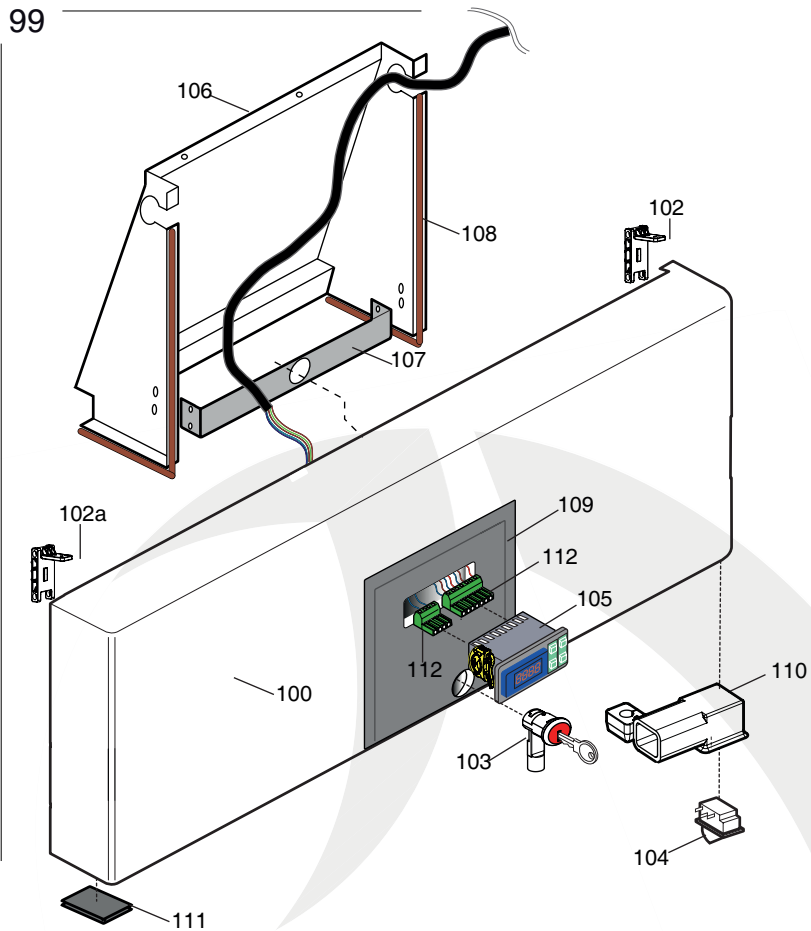
COOLING UNIT ASSEMBLY UP TO WK 37/2021



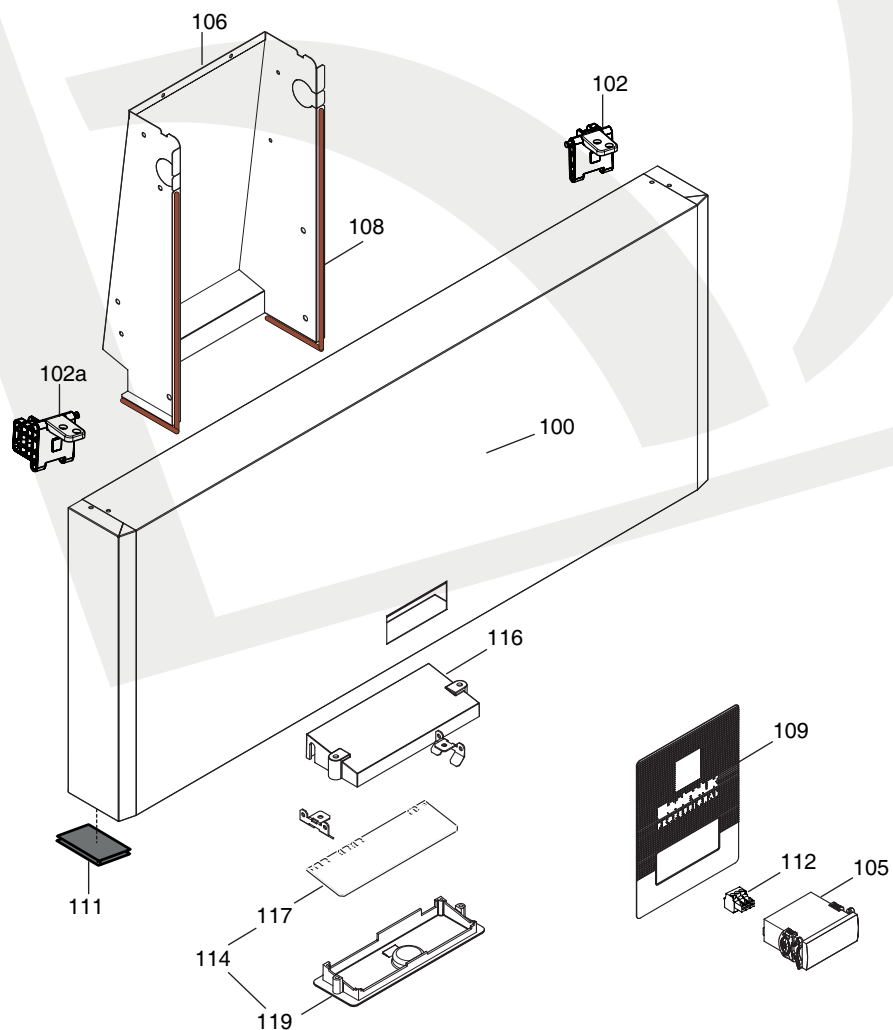
COOLING UNIT ASSEMBLY FROM WK 38/2021



CONTROL PANEL UP TO WK 37/2021



99 for ref z



Pos	Spare parts code	Factory code	Descrizione	Description	Ref - Note
1	093243	541R05001	Piedino	Foot	
1	094098	518R03900	Piedino Marine	Marine Foot	j
1a	093244	518R02600	Piedino anteriore porta vetro	Back foot glass door	
2	093245	217555204	Vite per plastica per piedino	Screw (use by fix foot)	
3	093246	518708601	Vite M8x20 per fiss. staffa sup/inf	Screw M8X20 (use by fix bracket)	
4	093247	502R17400	Staffa supporto fianchi	Side support (upper)	
5	093248	546R22800	Distanziale per piede	Foot spacer	
6	093249	501R38201	Cremagliera	Rack	
7	093250	501R47900	Guida Sx	Left support	
7	095061	501R63900	Guida Sx	Left support	j
8	093251	501R48100	Guida Dx	Right support	
8	095062	501R64000	Guida Dx	Right support	j
9	093252	514R10600	Griglia 2/1	Grid 2/1	
10	093253	514R12200	Griglia di fondo	Bottom grid	
11	097108	875R37600	Assieme carter interno	Internal protection assembly	
12	093254	832R09001	Cornice orizzontale	Horizontal frame	
13	093255	832R09101	Cornice verticale	Vertical frame	
13b	093256	832R09300	Cornice verticale	Vertical frame	
13a	093330	617R06701	Cavo riscald. cornice 22W (5w/m)	Heating cable frame 22W	a,x,u
13a	094841	617R13200	Cavo riscald. cornice 22W (5w/m)	Heating cable frame 22W	b,e,i,j,m,p,r,u, y,z,a1,b1, c1,d1,e1
13c	093331	617R07502	Cavo riscald. cornice 28,35W (5w/m)	Heating cable frame 28,35W	d,f,l,q,v
14	093309	835R24309	Porta con guarnizione aisi 304	Gasket and door	a,e,j,x,a1,c1, e1
14	093310	835R24403	Porta con guarnizione aisi 430	Gasket and door	b
14		835R75900	Porta con guarnizione A304 con luce	Gasket and door with light	z
15	093311	835R24208	Porta aisi 304	Door	a,e,j,x,a1,c1, e1
15	093312	835R24509	Porta aisi 430	Door	b
15		835R75800	Porta aisi 304	Door	z
16	094152	548R08000	Guarnizione porta cieca	Gasket full door	
17	082219	835704001	Cerniera porta	Hinge door	
18	081654	544700601	Boccola per porta	Door bush	
19	093341	833R21600	Staffa inferiore porta	Lower stirrup door	
20	082257	505723802	Staffa superiore porta	Upper stirrup door	
21	093271	541R05301	Tappo per cerniere	Hole hinge plug	
22	093575	835R24900	Ruota rotante con freno	Brake weel	
22	087110	835739900	Ruota rotante con freno	Brake weel	f,x,y,a1,b1,c1
23	093574	835R24800	Ruota rotante	Weel	
23	087111	835740000	Ruota rotante	Weel	f,x,y,a1,b1,c1
24	093342	880R64100	Traversa per 1/2 porte a304	Support half door a304	c,f
24	093343	880R64200	Traversa per 1/2 porte a430	Support half door a430	d
25	093272	543R09900	Cornice per traversa	Support half door frame	
26	093275	501R51800	Cremagliera ant. 1/2 porte superiore	Upper rack 1/2 doors	
27	093276	501R51600	Cremagliera ant. 1/2 porte	Lower rack 1/2 doors	
28	093585	835R25410	Ass.1/2 porta superiore a304	Upper half door a304	c,f
28	093586	835R27909	Ass.1/2 porta superiore a430	Upper half door a430	d
29	093519	835R25509	Ass.1/2 porta inferiore a304	Lower half door a304	c,f
29	093520	835R27808	Ass.1/2 porta inferiore a430	Lower half door a430	d
30	094153	548R08100	Guarnizione magnetica 1/2 porte	Half door gasket	

Pos	Spare parts code	Factory code	Descrizione	Description	Ref - Note
-----	------------------	--------------	-------------	-------------	------------

31	093392	546R21100	Boccola per porta 1/2 porte	Half door bush	
31a	093517	546R23100	Boccola per cerniera 1/2 porte	Half door bush	
32	093301	833R21900	Ass. cerniera inferiore	Lower hinge assembly	
33	093344	505R12400	Cerniera centrale	Central hinge door	
34	093433	833R21100	Serratura	Serratura	
35	099991	6387006002	Cavo di alimentazione	Power supply cable	
35	095750	635R32300	Cavo di alimentazione	Power supply cable	e,j
35		635R35600	Cavo di alimentazione	Power supply cable	e1
51		502R24300	Supporto impianto elettrico	Electrical wiring support	Up to 2021/37
51	097284	546R43401	Supporto impianto elettrico	Electrical wiring support	From 2021/38
52	093422	684R05800	Compressore (NT2170U) 220-40/50 hz	Compressor (NT2170U)220-40/50hz	Up to 2023/34
52	094840	684R11900	Compressore NEU2168U EMBRACO	Compressor NEU2168U EMBRACO	From 2023/35
52a	092587	*	Relè avviamento	Start relay	
52b	093751	*	Protettore	Protector	
52c	093752	*	Condensatore di avviamento	Start capacitor	
53	099872	541714500	Gommino per compressore	Rubber compressor	
54	093333	830R04900	Condensatore	Condenser	
55	089697	511708800	Ventola	Fan condenser	
56	089755	546709500	Supporto motore condensatore	Fan condenser support	
57	096537	515R13200	Serpentina evap. acqua di condensa	Evaporation water pipe	Up to 2023/34
57	095075	515R21201	Serpentina evap. acqua di condensa	Evaporation water pipe	From 2023/35
58	093260	543R09300	Fissaggio serpentina	Stopper pipe	
59	096995	682R14200	Ventilatore condensatore	Condenser fan	
59a	097055	635R37900	Cablaggio ventilatore	Fan wiring	
59b	096660	504R15800	Lamiera protezione ventola	Fan condenser protection	
60	093462	858R06800	Assieme Scambiatore	Heat exchanger	Up to 2023/34
60	094846	858R15000	Assieme Scambiatore	Heat exchanger	From 2023/35
61	084078	805729802	Filtro	Dehydrator filter	
62	0A8171	A02021800	Valvola per copressore	Compressor valve (charge or disch.)	
63	093335	830R04001	Evaporatore 3R 8T	Evaporator 2R 8T	
64	093278	833R21201	Vaschetta evaporatore	Evaporator tray	
65	093325	682R05701	Ventilatore evaporatore (fime)	Evaporator fan (fime)	
66	093326	501R45101	Staffa motore evaporatore	Fan evaporator support	
67	092173	646R06700	Sonda cella	Cell probe	
68	093347	617R06201	Resistenza con termostati	Heating element with thermostat	Up to 2021/37
68		617R25500	Resistenza con termostati	Heating element with thermostat	From 2021/38
69	093487	514R11601	Molla per fissaggio termostati	Thermostat spring	
70	093516	514R11200	Molla per fissaggio resistenza 3R	Heating element spring 2R	
71	093848	648R06300	Relè finder	Relay finder	
71a	*	648R05300	Varistore ELCO Var 285	Varistor ELCO Var 285	
71b	*	648R05700	Dissipatore OPTO	Electrical heat exchanger	
72	093314	501R44801	Convogliatore evaporatore	Evaporator conveyor	

Pos	Spare parts code	Factory code	Descrizione	Description	Ref - Note
73	093528	639R09900	Morsettiera	Clamp	All except for z up to 2022/41
73		855R0AD00	Morsettiera	Clamp	All except for z from 2022/42
73		856R20402	Morsettiera	Clamp	z up to 2022/41
73		855R0AF00	Morsettiera	Clamp	z from 2022/42
74	093261	835R24101	Assieme Calotta	Evaporator cover	Up to 6181
74	*	835R47601	Assieme Calotta	Evaporator cover	From 6191
75	093262	14701R003	Neoprene espanso 8x13,3 nero (M4)	Gasket cover (neoprene 8x13,3)	
76	093245	217555204	Vite senza punta x plastica	Cover screw	
78	094425	546R26501	Copertura scatola impianto elettrico	Wiring box cover	Up to 2021/37
79	096636	694R00502	Filtro antisturbo	Electrical filter	
78a	093976	546R26701	Scatola impianto elettrico	Wiring box	Up to 2021/37
80	093415	617R07801	Resistenza scarico condensa	Drain heater	
81	094451	546R26800	Basamento gruppo	Basement	
99		880R50107	Cruscotto completo aisi 304	Panel control complete aisi 304	c,f up to 2021/37
99		880R56607	Cruscotto completo aisi 304	Panel control complete aisi 304	a,e,x,a1
99	*	880R56705	Cruscotto completo aisi 430	Panel control complete aisi 430	b up to 2021/37
99	093306	880R50704	Cruscotto completo aisi 430	Panel control complete aisi 430	d up to 2021/37
99		883R27601	Cruscotto completo aisi 304	Panel control complete aisi 304	z up to 2021/37
99		883R80601	Cruscotto completo aisi 304	Panel control complete aisi 304	z from 2021/38
99		883R79502	Cruscotto completo aisi 304 spina shuko	Panel control complete aisi 304	e,m,r,y,b1 from 2021/38
99		883R81000	Cruscotto completo aisi 304 spina Gewiss	Panel control complete aisi 304	f,c1 2021/38
99		883R79200	Cruscotto completo aisi 430 spina UK	Panel control complete aisi 430 UK plug	b,d,i,l,p,q,u,v from 2021/38
99		883R88000	Cruscotto completo aisi 304 spina UK	Panel control complete aisi 304 UK plug	d1,e1
99		883R78103	Cruscotto completo aisi 304 spina shuko	Panel control complete aisi 304	j
100	093265	509R12604	Cruscotto comandi	Panel 304 AISI	a,c,e,f,x,a1,e1
100	093266	509R12703	Cruscotto comandi	Panel 430 AISI	b,d up to 2021/37
100		509R24200	Cruscotto comandi senza componenti	Panel 304 AISI without components	z up to 2021/37
100		509R24201	Cruscotto comandi senza componenti	Panel 304 AISI without components	z from 2021/38 Up to 2022/41
100		509R26800	Cruscotto comandi senza componenti	Panel 304 AISI without components	z from 2022/42
100	097272	509R24601	Cruscotto comandi	Panel 304 AISI	e,f,m,r,y,b1, c1,d1,e1 from 2021/38
100		509R24701	Cruscotto comandi	Panel 304 AISI	b,d,i,l,p,q,u,v from 2021/38

Pos	Spare parts code	Factory code	Descrizione	Description	Ref - Note
100		509R26600	Cruscotto comandi	Panel 304 AISI	j
101	097592	546R52100	Filtro cruscotto	Control panel filter	j
102	093609	832R10100	Cerniera per cruscotto dx	Hinge for panel	
102a	093610	832R10200	Cerniera per cruscotto sx	Hinge for panel	
103	093345	833R20900	Serratura	Lock	
103	093433	0833R21100	Serratura	Lock	z
104	094035	0640R02100	Micro porta	Switch	Always except for z
104	094035	0640R02100	Micro porta	Switch	From 2022/42 for z
105	093328	646R10803	Termoregolatore ir33 IMEL1J0545	Thermoregulator IMEL1J0545	To be set Up to 2022/41 Order KIT 097586 See TB VTX2022_08
105	093434	0646R11101	Termoregolatore ir33 IMEL1J0548	Thermoregulator IMEL1J0548	z up to 2022/48 Order KIT 097628 See TB VTX2023_02
105	097579	855R18400	Termoregolatore Carel IJF	Thermoregulator Carel IJF	From 2022/42 Except for z
105	097579	855R18400	Termoregolatore Carel IJF	Thermoregulator Carel IJF	From 2022/49 z
106	094389	501R37403	Protezione	Protection	z up to 2021/43
106	097245	504R35000	Protezione	Protection	z from 2021/44 Up to 2022/41
106	093975	546R26601	Protezione	Protection	all except z Up to 2022/41
106	097576	504R39300	Protezione	Protection	From 2022/42
107	093354	501R37502	Staffa per protezione	Support fro protection	Up to 2021/37
107		504R24400	Staffa per protezione	Support fro protection	z
108	0L0113	140088006	Guarnizione	Gasket	
109	093268	755R03901	Membrana	Membrane	Up to 7381
109	095022	598R81500	Membrana Zanussi	Zanussi membrane	For Zanussi products
109	095023	598R81601	Membrana Electrolux	Electrolux membrane	From 7391 for Elux and To Brand products
109	095024	598R81701	Membrana neutra	Neutral membrane	For Alpen products
109		598R98503	Membrana Elux Prof con luce	Elux Prof with light membrane	z - Elux Prof Up to 2022/41
109	097612	595R75500	Membrana Elux Prof con luce	Elux Prof with light membrane	z - Elux Prof From 2022/42

Pos	Spare parts code	Factory code	Descrizione	Description	Ref - Note
109		598R99100	Membrana Zanussi	Zanussi membrane	z - Zanussi Up to 2022/41
109	097614	595R75700	Membrana Zanussi	Zanussi membrane	z - Zanussi From 2022/42
109		598R99200	Membrana Alpen	Alpen membrane	z - Alpen Up to 2022/41
109	097613	595R75600	Membrana Alpen	Alpen membrane	z - Alpen From 2022/42
109		598R98301	Membrana Elux Prof	Elux Prof membrane	b,d,e,f,j,b1,e1
109		598R95601	Membrana Blizzard Professional	Blizzard Professional membrane	u,v
109	097058	598R98601	Membrana Zanussi	Zanussi membrane	i,l,m,d1
110	092353	546R12100	Protezione micro	Door switch protection	Always except for z
110	092353	546R12100	Protezione micro	Door switch protection	From 2022/42 for z
111	093269	541R05401	Tappo per cerniera porta	Door hinge plug	
112	*	639R06800	Connettore dritto 3 vie	Connector 3 ways right	
112	*	639R06900	Connettore dritto 7 vie	Connector 7 ways right	
112	099740		Connettore 90° 7 vie	Connector 7 ways 90°	
112	099741		Connettore 90° 5 vie	Connector 5 ways 90°	
112	088998		Connettore 90° 3 vie	Connector 3 ways 90°	
112	099743		Connettore 90° 3 vie piccolo	Connector 3 ways 90° small	
112	099742		Connettore 90° 2 vie	Connector 2 ways 90°	
112	091682		Connettore 90° 4 vie	Connector 4 ways 90°	
112	091684		Connettore 90° 5 vie	Connector 5 ways 90°	
112	097578	0639R04V00	Connettore femmina 3 vie	Connector 3 ways female	From 2022/42
*	093180	639R09600	Convertitore spina UK	UK plug converter	
114	093810	855R12701	Led +supporto per termoregolatore IR33	Led-lamp + support for thermoregulator IR33	z - Up to 2022/41
114		855R0A000	Led +supporto per termoregolatore IJF	Led-lamp + support for thermoregulator IJF	z - From 2022/42
115	093386	546R19501	Supporto scheda led	Support led-lamp	z
116	093387	546R19600	Protezione scheda led	Protection led-lamp	z
117		648R05501	Scheda led depotenziata per termoregolatore IR33	Led-lamp board for thermoregulator IR33	z - Up to 2022/41
117		648R02J00	Scheda led depotenziata per termoregolatore IJF	Led-lamp board for thermoregulator IJF	z - From 2022/42
119	093390	569R05900	Guarnizione per scheda led	Ledlamp board gasket	z